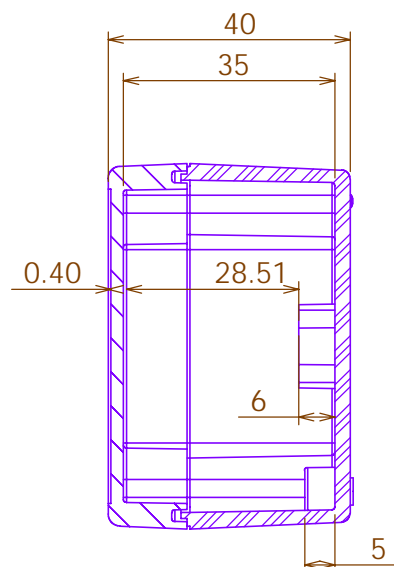
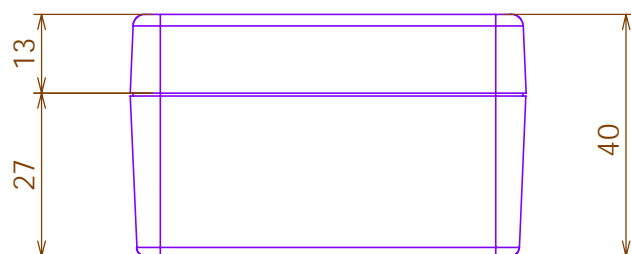


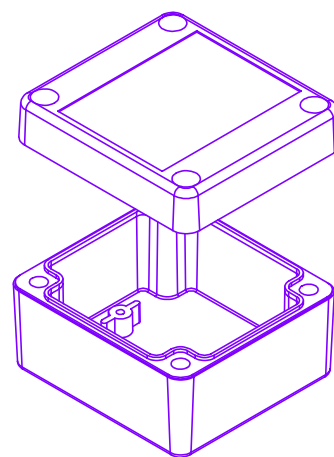
TOP View



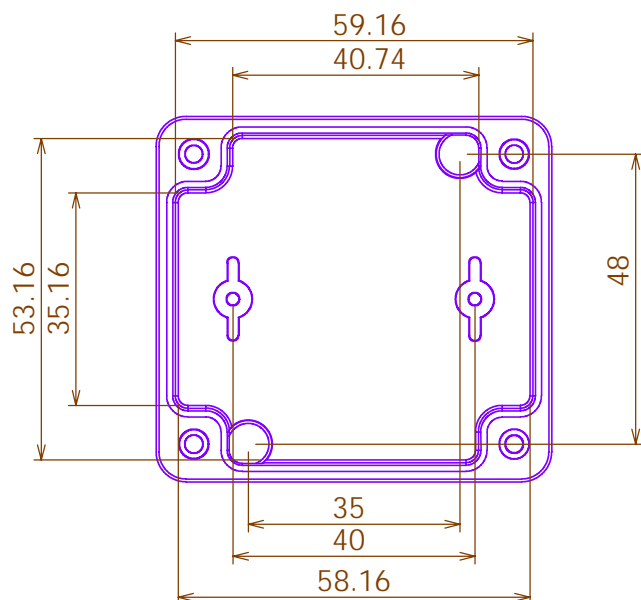
A-A Section



FRONT View



BLOW View



BASE Inner View

RP1025 Sealed enclosure  
 Size: 65 x 60 x 40 mm.  
 Material: ABS UL-94V0  
 IP Rate: IP65 (IEC40529)  
 Hardware:  
 1, Stainless Fixing Screw x 4 pcs.  
 2, EPDM Gasket x 1.  
 3, PCB Mounting Screw x 2 pcs.  
 OPTION:  
 1, RP1025C - PC clear Top Lid.  
 2, Mounting Feet - accessories for wall mounting.

公差

10 以下	±0.1mm	:	
11 - 20	±0.2mm	:	
21 - 30	±0.3mm	:	
31 - 50	±0.4mm	比例:	1 : 1
51 - 100	±0.5mm	單位:	公制 mm
101 - 150	±0.75mm	圖號:	RP1025
151 - 200	±1.00mm		
201 - 300	±1.25mm		
300 以上	±1.50mm	原料:	ABS UL-94V0

**Evatron Plastic Enclosures**

Tel: 01908 675121 Fax: 01908 200148

www.evatron.com info@evatron.com

DWG #

RP1025 Dimension

Ver.

V1.0

Date:

1995, 8, 15

Page:

1 / 1