

PP100 (1 button)

PP101

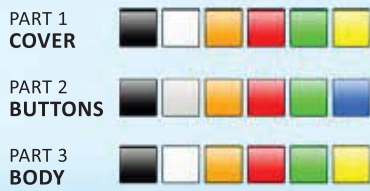


PP102 (1 button)

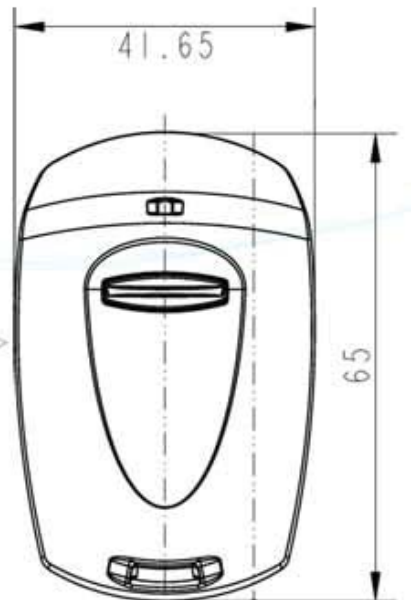
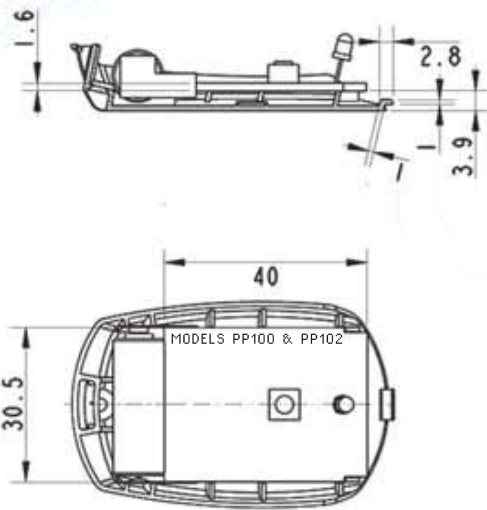
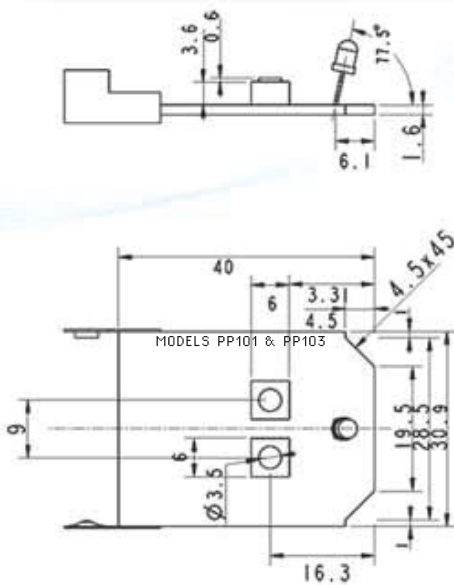
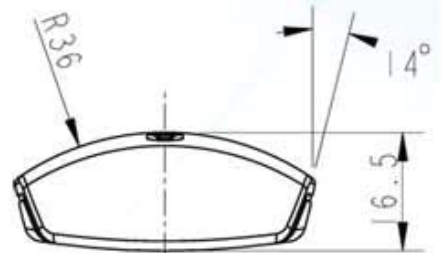
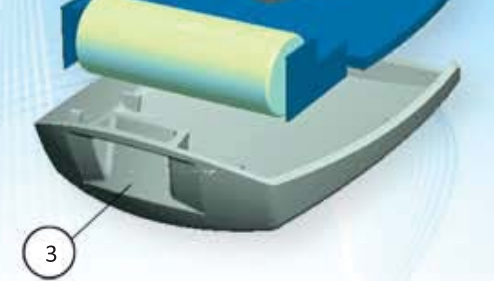
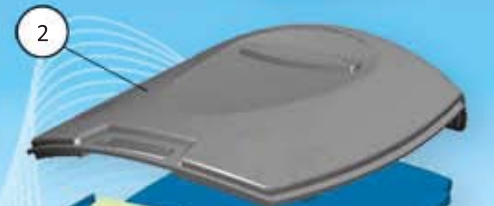
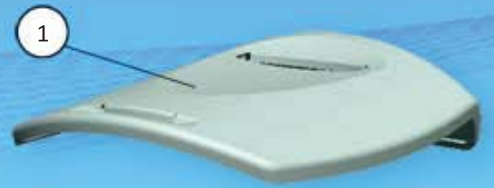
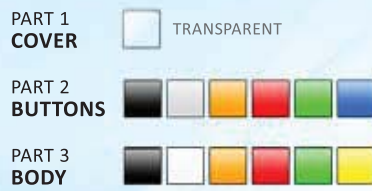
PP103



COMPOSE YOUR BOX
AVAILABLE PARTS AND COLOURS:



COMPOSE YOUR BOX
AVAILABLE PARTS AND COLOURS:



Suggested circuit for 12V battery (clips included)



EVATRON PLASTIC ENCLOSURES LTD

www.evatron.com

Tel: 01908 675121 Fax: 01908 200148

Email: sales@evatron.com

NEW PRODUCT LAUNCH

REMOTE CONTROL ENCLOSURE/KEY FOB

An innovation in remote control design, this new enclosure allows you to assemble the remote control of your choice. It's a stylish new look, providing the option to incorporate a transparent cover with a range of different colour bodies. There is a choice of one or two buttons.

Case features:

- Buttons are integral to a coloured membrane lining the cover, giving the appearance of a thin coloured stripe running through the side of the case.
- Hole for a LCD sits in front of the button aperture.
- Base of the enclosure accepts a 12V battery.
- Internal pillars to hold a PCB
- Recessed loophole can accept hanging cord or ring if required.
- Entire case secured with a single screw.

This exclusive design is perfectly balanced to sit comfortably in the hand. Its application extends from stair lifts and garage doors to tracker devices and panic buttons. The smooth finish and colour options make this case both functionally and aesthetically pleasing for a wide range of applications.

See over for colour options and technical drawings.