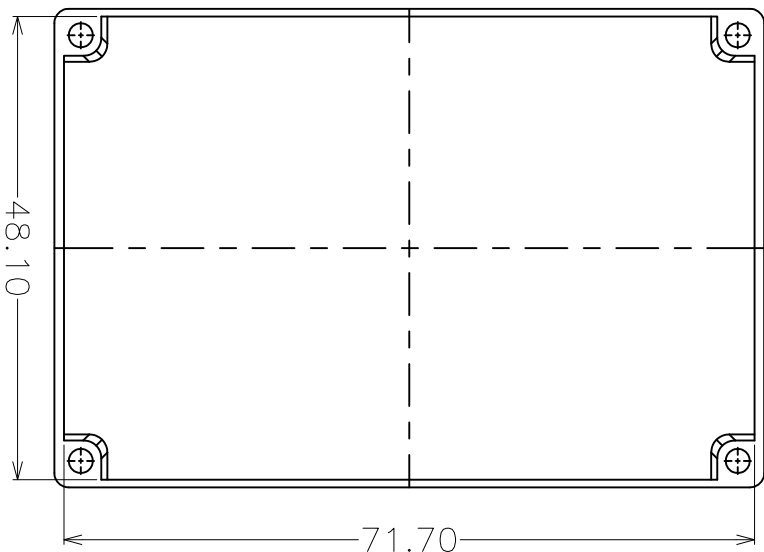
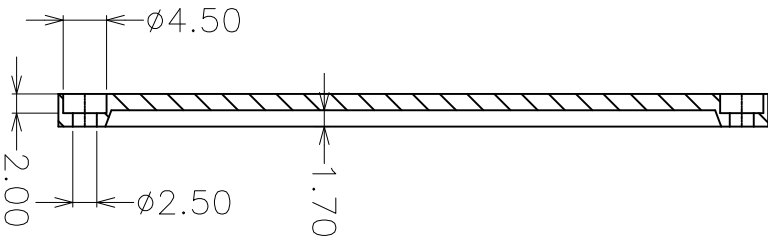
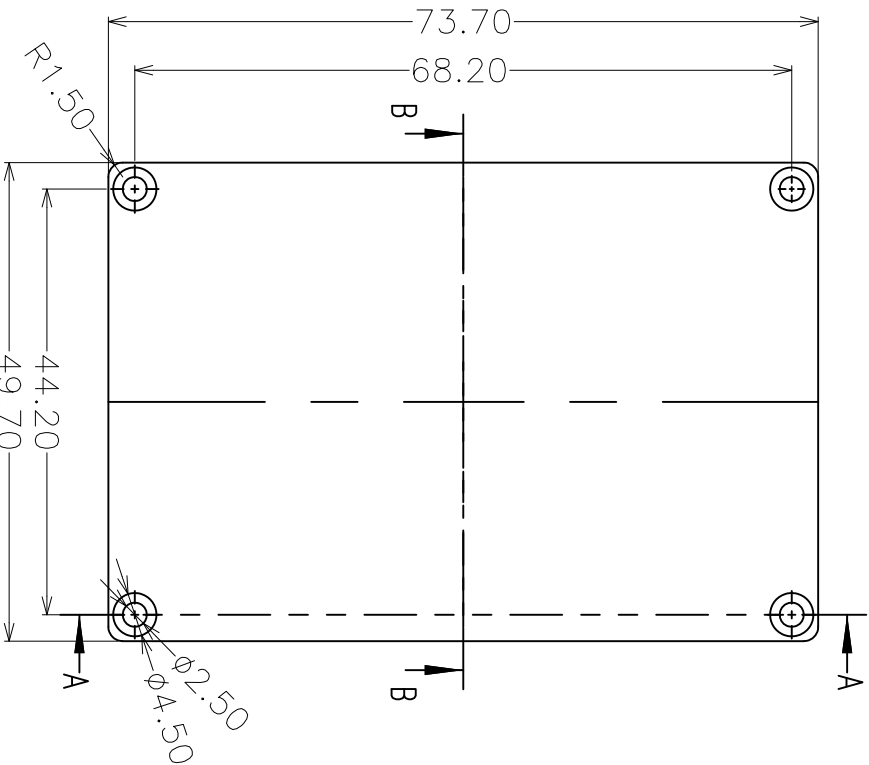
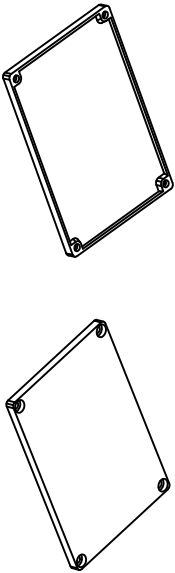
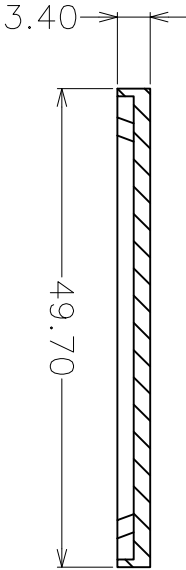


SECTION A-A



SECTION B-B



REV.	DESCRIPTION	DATE	DRAWN	APPD.

GENERAL TOLERANCE		PART NO.	
LINEAR	X±0.5		
	X±0.2		
	XX±0.10		
	XXX±0.05		
ANGULAR		Q. TY:	
	X°±1.0°	APPD:	
	X°±0.5°	CHKD:	
	XX°±0.1°	DRAWN:	
UNITS: MM		DATE	
		DATE	
		DATE	
		DATE	

MATERIAL:	AMS
DESCRIPTION:	R33010 L.3E
SCALE	1/1
SHEET	1 / 1
REV.	A0