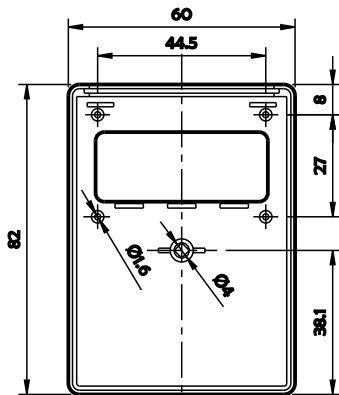
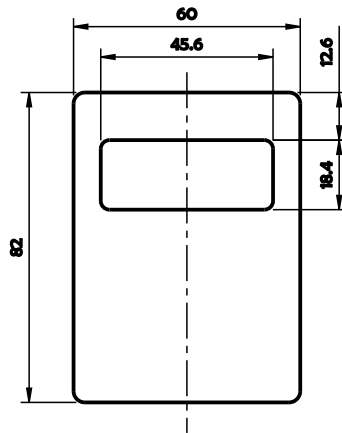


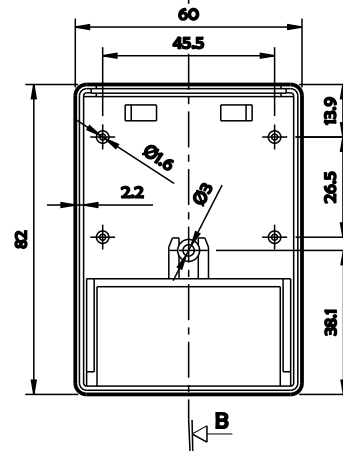
Inside view top



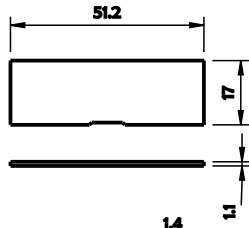
Outside view



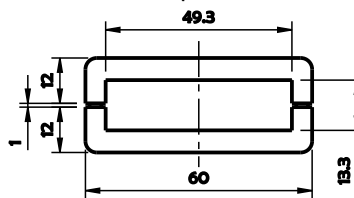
Inside view base



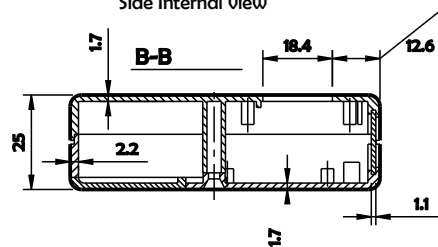
Front Panel



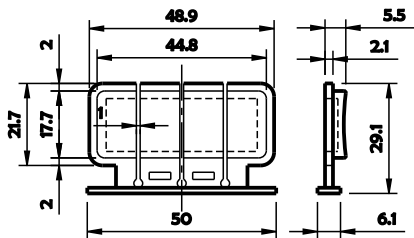
Front Aperture



Side Internal view



Order code EVA1245N



Battery Cover Plate

