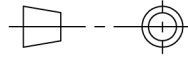
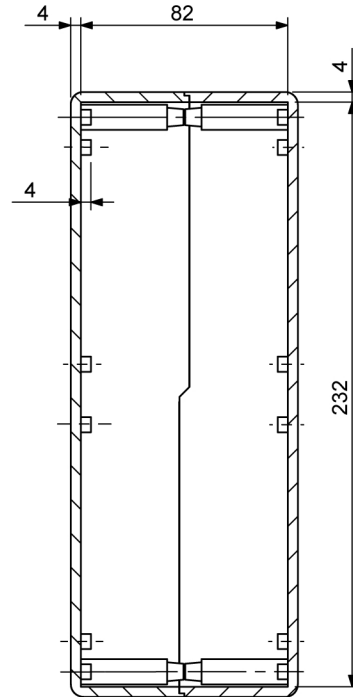
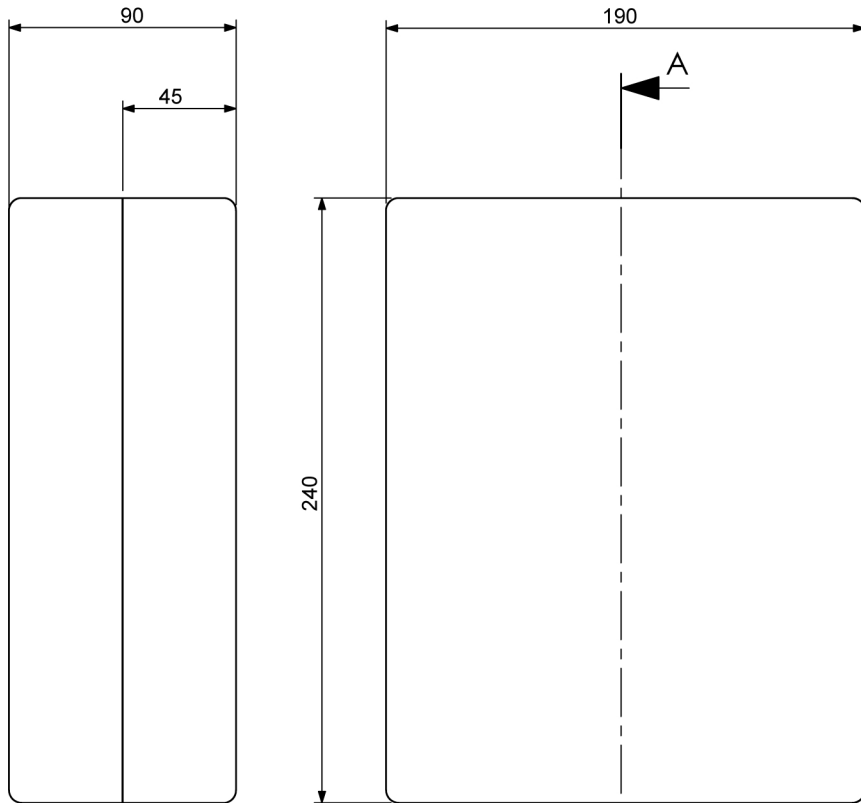


UNLESS OTHERWISE SPECIFIED:  
DIMENSIONS ARE IN MILLIMETERS



DO NOT SCALE DRAWING



SECTION A-A

