
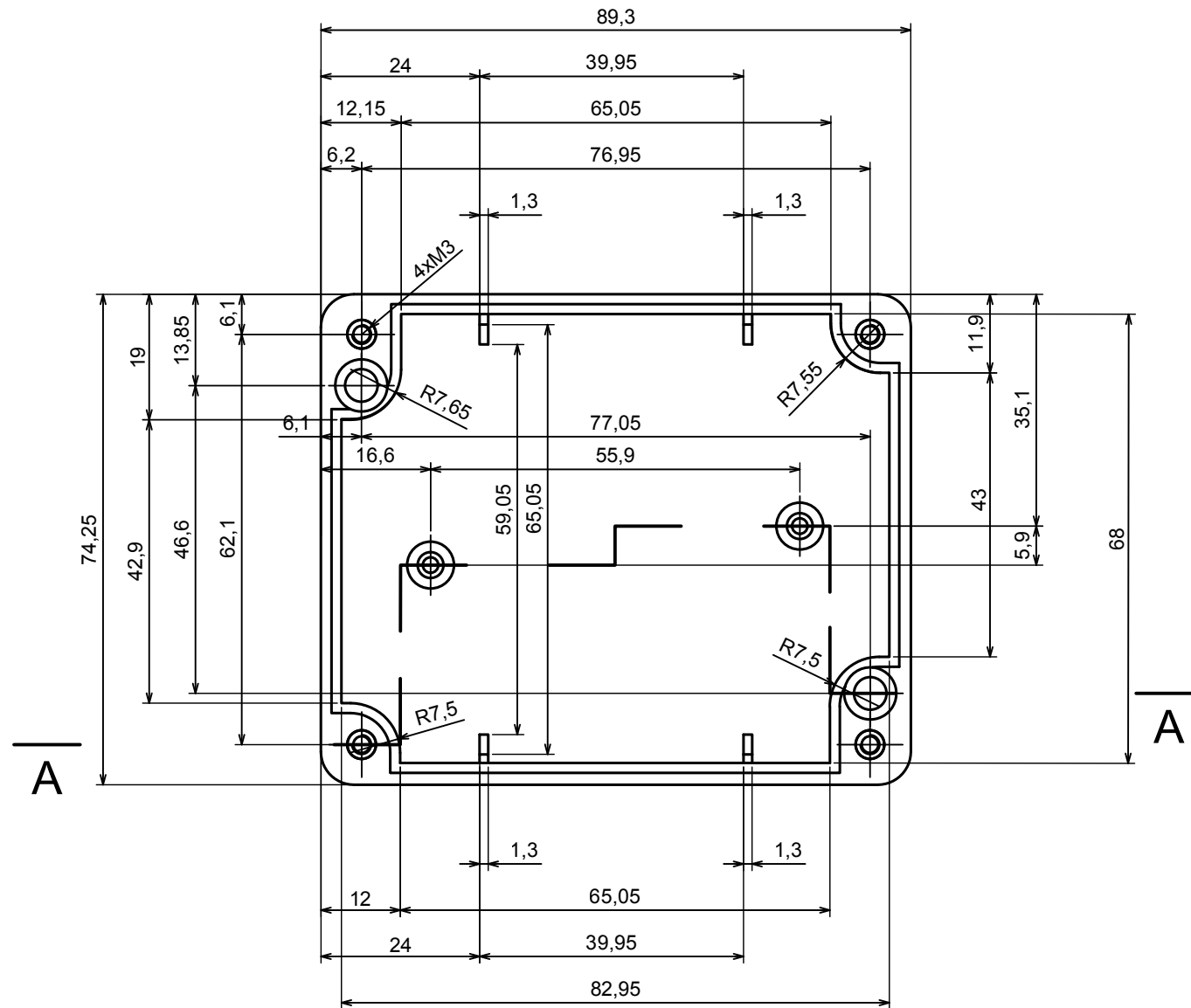
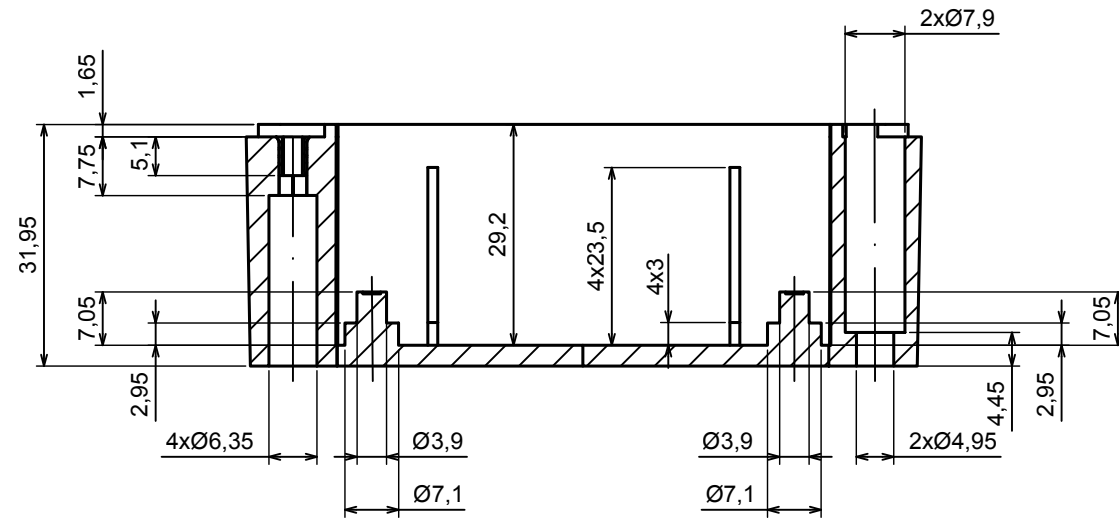


All rights reserved, Copyright Kradox 2016		
Product model	Enclosure Z54S - assembly	
Format: A3	Material: PS, ABS	
Scale 1:1	Tolerance: +/- 0.2	

A-A



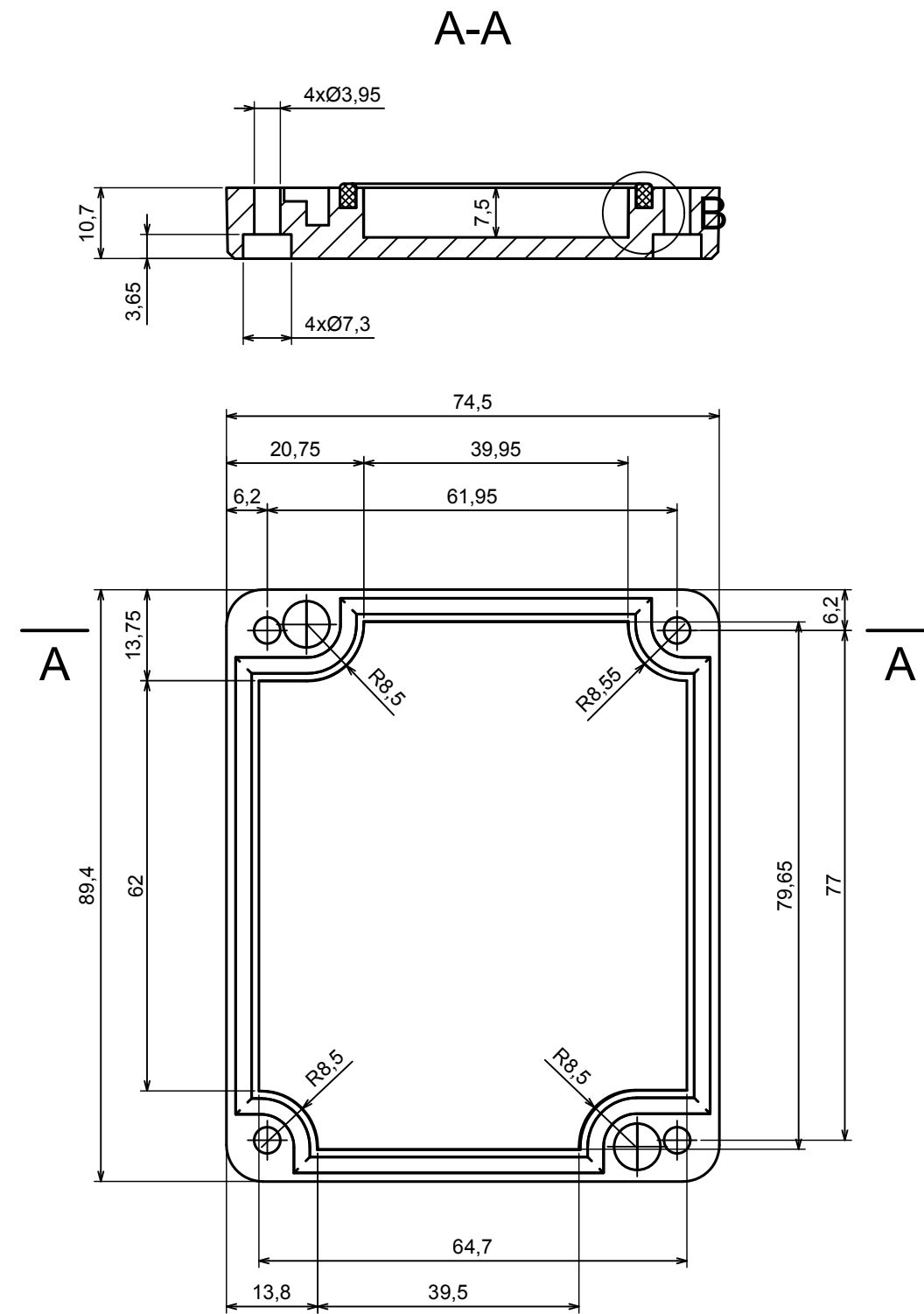
All rights reserved, Copyright Kradox 2016

Product model: Enclosure Z54S - base

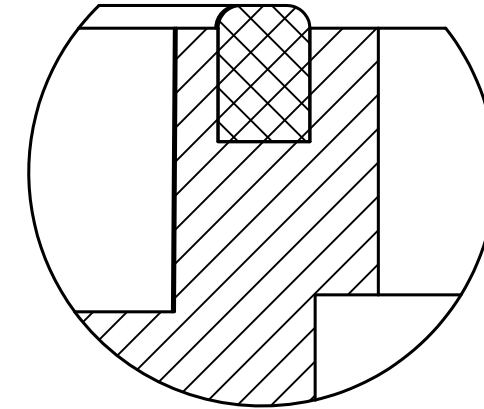
Format: A3 Material: PS, ABS

Scale 1:1 Tolerance: +/- 0.2





B (5:1)



All rights reserved, Copyright Kradox 2016

Product model Enclosure Z54S - cover

Format: A3 Material: PS, ABS

Scale 1:1 Tolerance: +/- 0.2

