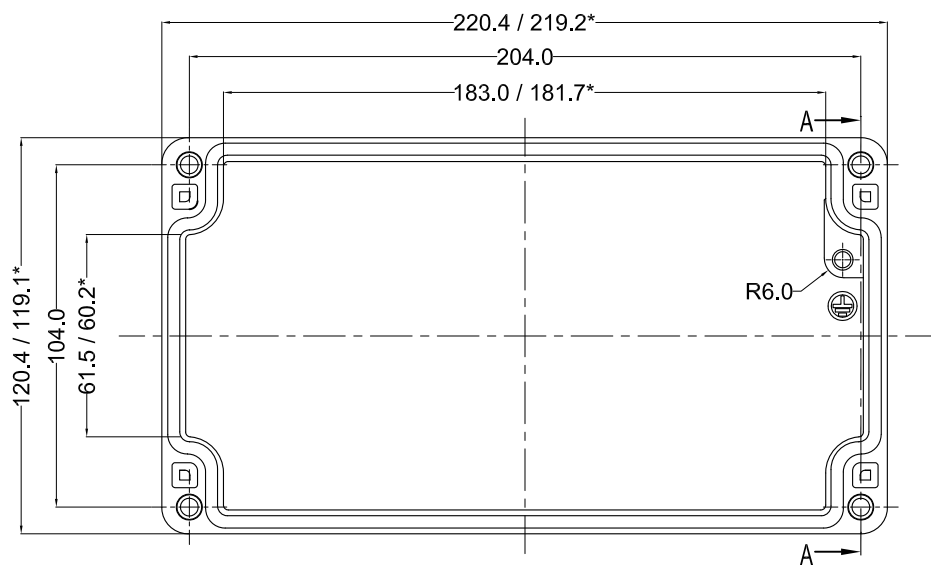
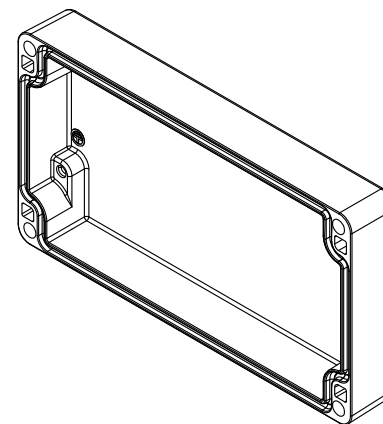
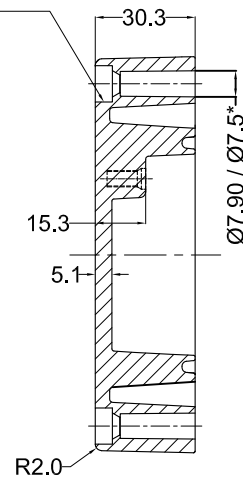


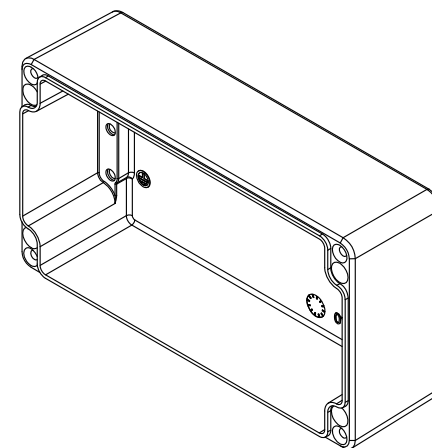
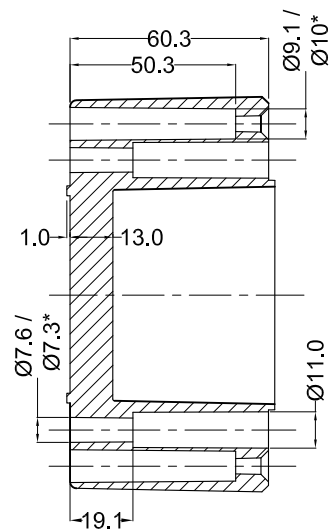
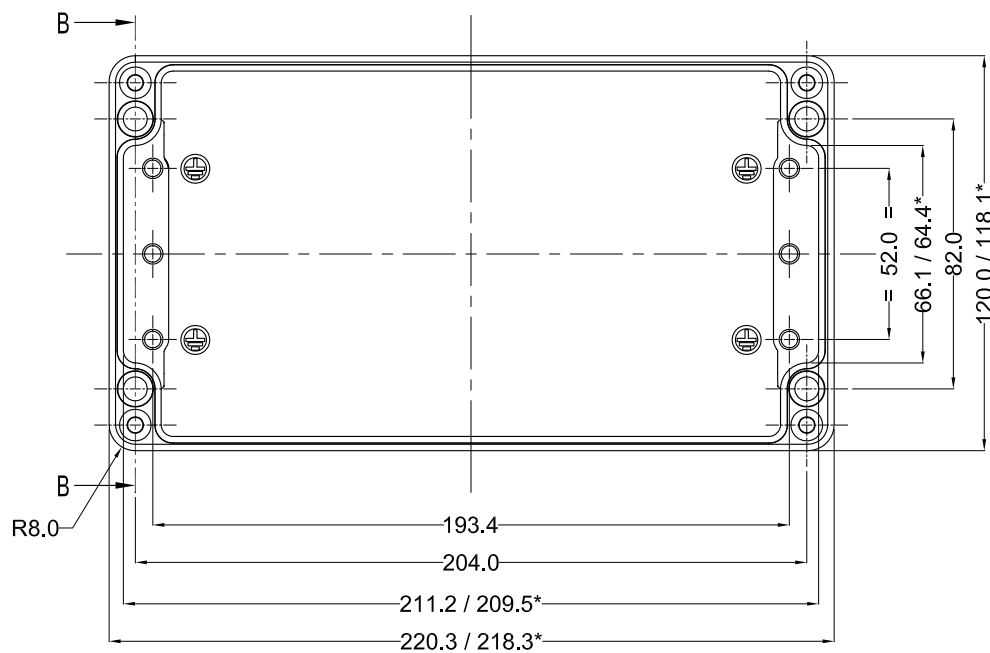
\* = Conical form tapering downward.  
 Untoleranced dimensions per GTA 13/5 DIN 1688



Cylinder Screw  
 M6 x 35/10 similar to DIN 84



SECTION A-A



SECTION B-B