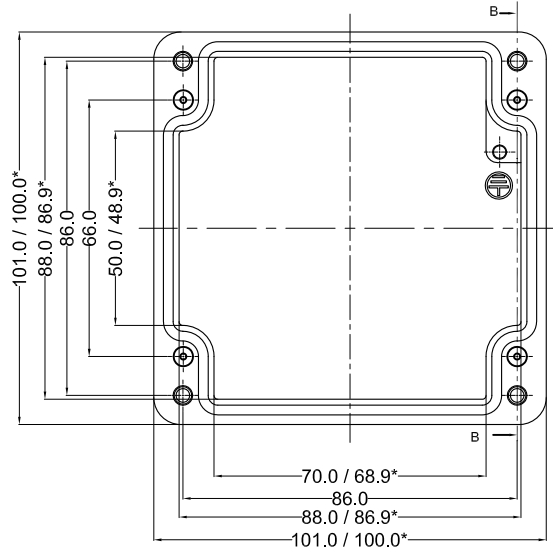
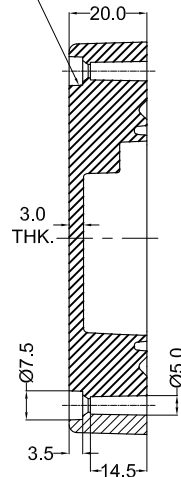


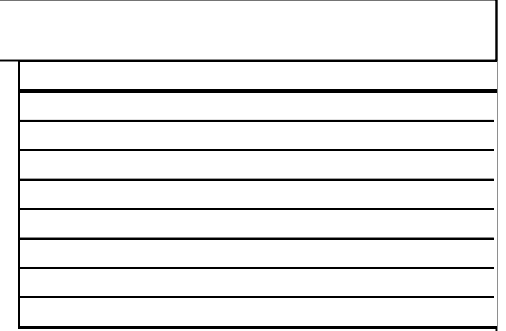
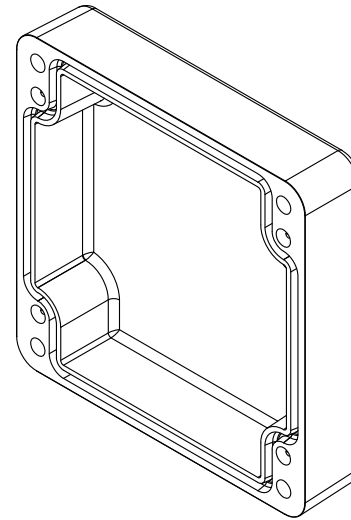
LID



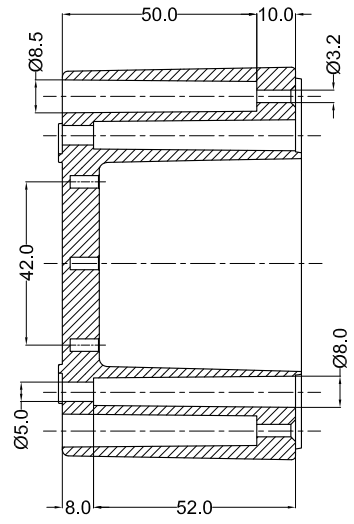
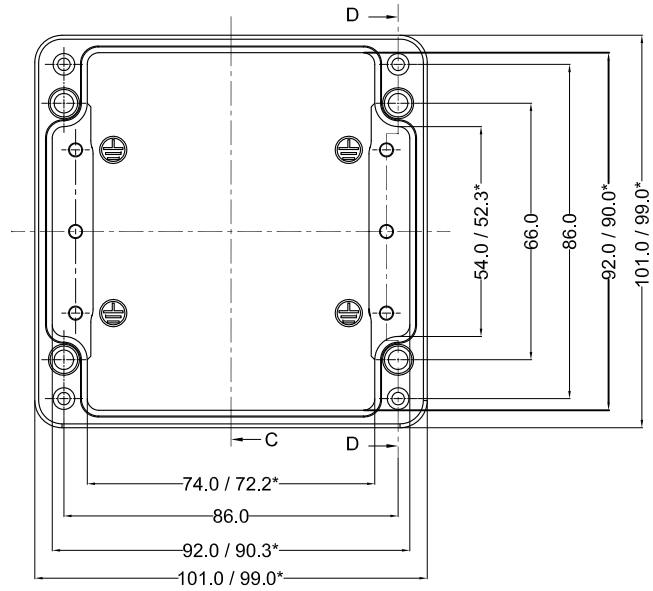
Cylinder Screw
M4 x 24/7 similar to DIN 84



SECTION B-B



BASE



SECTION D-D

